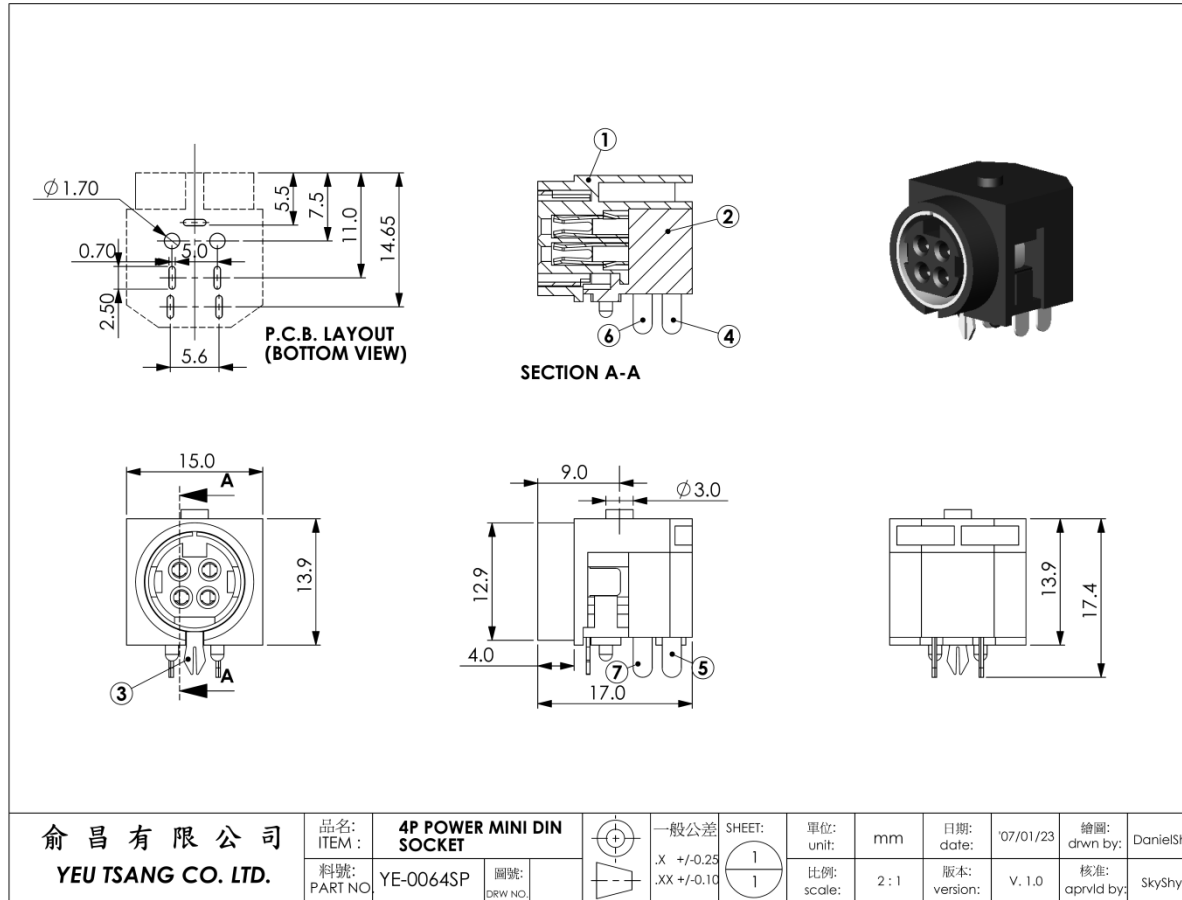


# YE-0064SP 4P POWER MINI DIN SOCKET



## • MATERIALS :

1. HOUSING:  
PBT+GF15%
2. BASE:  
PBT+GF15%
3. SHIELD COVER :  
BRASS NICKEL PTD.
4. TERMINAL A :  
BRASS SILVER PTD.
5. TERMINAL A1 :  
BRASS SILVER PTD.
6. TERMINAL B :  
BRASS SILVER PTD.
7. TERMINAL B1 :  
BRASS SILVER PTD.

## 8. SPECIFICATION :

- rating :  
100V AC or 12V DC 2A
- insulation resistance :  
MIN 50MΩ at 250V DC
- voltage withstand :  
250V AC, 1 minute

俞昌有限公司  
YEU TSANG CO. LTD.

品名: ITEM :	<b>4P POWER MINI DIN SOCKET</b>		一般公差	SHEET:	單位: unit:	mm	日期: date:	'07/01/23	繪圖: drwn by:	DanielShyr
料號: PART NO.	YE-0064SP	圖號: DRW NO.	.X +/-0.25 .XX +/-0.10	$\frac{1}{1}$	比例: scale:	2 : 1	版本: version:	V. 1.0	核准: aprld by:	SkyShyr

COPYRIGHT BY YEU TSANG